

Terminals

Ring Terminals

• Materials:

Conductor: Copper.
Insulation: Vinyl.
Plating: Tin.



• Operating Temperature:

-10°C to +75°C.

• Features:

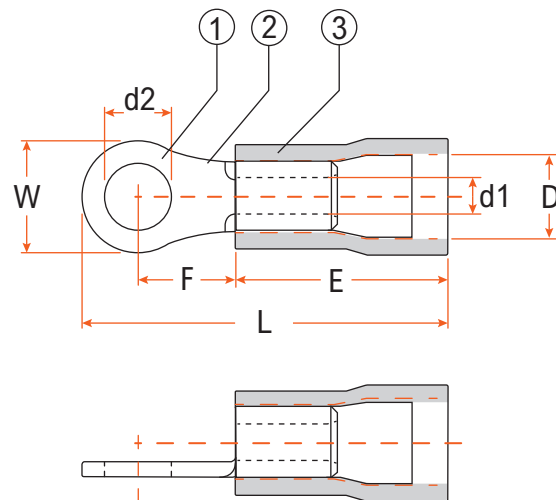
Max. voltage rating: 600V.
Flared barrel for easy wire insertion.
Low insertion force and easy crimping whilst ensuring secure termination.

Standard Ring Terminals

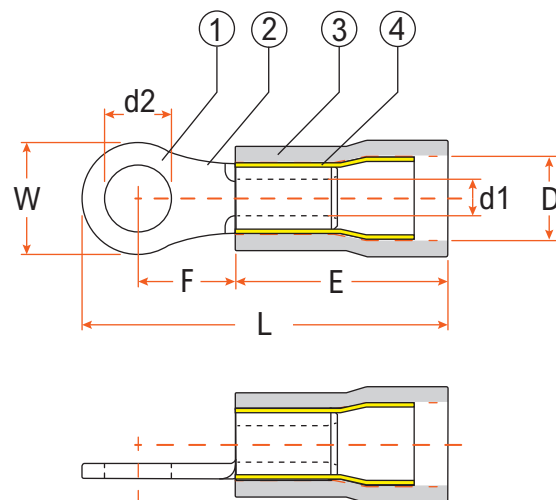


Material

- ① Copper
- ② Tin
- ③ Vinyl
- ④ Copper



Ring Terminals with Copper Sleeve



Max. current rating

| | |
|--------|-----|
| Red | 19A |
| Blue | 27A |
| Yellow | 48A |

See product technical table on next page

Terminals

Ring Terminals

| Item No. | Colour | Wire Range (mm ²) | Dimensions (mm) | | | | | | |
|----------|--------|-------------------------------|-----------------|-----|------|------|------|------|------|
| | | | D | d1 | d2 | W | L | E | F |
| RR32 | Red | 0.5-1.5 | 4.3 | 1.7 | 3.3 | 5.5 | 17.5 | 10.0 | 4.8 |
| RR37 | Red | 0.5-1.5 | 4.3 | 1.7 | 3.8 | 5.5 | 17.5 | 10.0 | 4.8 |
| RR43 | Red | 0.5-1.5 | 4.3 | 1.7 | 4.4 | 6.6 | 19.4 | 10.0 | 6.3 |
| RR53 | Red | 0.5-1.5 | 4.3 | 1.7 | 5.4 | 8.0 | 20.8 | 10.0 | 7.0 |
| RR53L | Red | 0.5-1.5 | 4.3 | 1.7 | 5.4 | 8.0 | 20.8 | 10.0 | 7.0 |
| RR64 | Red | 0.5-1.5 | 4.3 | 1.7 | 6.5 | 11.6 | 26.7 | 10.0 | 11.0 |
| RR64L | Red | 0.5-1.5 | 4.3 | 1.7 | 6.5 | 11.6 | 26.7 | 10.0 | 11.0 |
| RR84 | Red | 0.5-1.5 | 4.3 | 1.7 | 8.5 | 11.6 | 26.7 | 10.0 | 11.0 |
| RR84L | Red | 0.5-1.5 | 4.3 | 1.7 | 8.5 | 11.6 | 26.7 | 10.0 | 11.0 |
| RR105 | Red | 0.5-1.5 | 4.3 | 1.7 | 10.5 | 13.6 | 30.5 | 10.0 | 13.9 |
| RR130 | Red | 0.5-1.5 | 4.3 | 1.7 | 13.0 | 18.0 | 35.4 | 10.0 | 15.2 |
| BR32 | Blue | 1.5-2.5 | 4.8 | 2.3 | 3.3 | 6.6 | 17.8 | 10.0 | 4.7 |
| BR37 | Blue | 1.5-2.5 | 4.8 | 2.3 | 3.8 | 6.6 | 17.8 | 10.0 | 4.7 |
| BR43 | Blue | 1.5-2.5 | 4.8 | 2.3 | 4.4 | 6.6 | 21.8 | 10.0 | 6.3 |
| BR53 | Blue | 1.5-2.5 | 4.8 | 2.3 | 5.4 | 8.5 | 21.8 | 10.0 | 7.8 |
| BR53L | Blue | 1.5-2.5 | 4.8 | 2.3 | 5.4 | 8.5 | 21.8 | 10.0 | 7.8 |
| BR64 | Blue | 1.5-2.5 | 4.8 | 2.3 | 6.4 | 12.0 | 26.8 | 10.0 | 11.0 |
| BR64L | Blue | 1.5-2.5 | 4.8 | 2.3 | 6.4 | 12.0 | 26.8 | 10.0 | 11.0 |
| BR84 | Blue | 1.5-2.5 | 4.8 | 2.3 | 8.4 | 12.0 | 26.8 | 10.0 | 11.0 |
| BR84L | Blue | 1.5-2.5 | 4.8 | 2.3 | 8.4 | 12.0 | 26.8 | 10.0 | 11.0 |
| BR105 | Blue | 1.5-2.5 | 4.8 | 2.3 | 10.5 | 13.6 | 30.5 | 10.0 | 13.9 |
| BR130 | Blue | 1.5-2.5 | 4.8 | 2.3 | 13.0 | 19.2 | 35.4 | 10.0 | 15.2 |
| YR43 | Yellow | 4.0-6.0 | 6.7 | 3.4 | 4.4 | 7.2 | 23.2 | 13.0 | 6.1 |
| YR53 | Yellow | 4.0-6.0 | 6.7 | 3.4 | 5.4 | 9.5 | 27.3 | 13.0 | 8.3 |
| YR64 | Yellow | 4.0-6.0 | 6.7 | 3.4 | 6.4 | 12.0 | 29.5 | 13.0 | 11.2 |
| YR64L | Yellow | 4.0-6.0 | 6.7 | 3.4 | 6.4 | 12.0 | 29.5 | 13.0 | 11.2 |
| YR84 | Yellow | 4.0-6.0 | 6.7 | 3.4 | 8.5 | 15.0 | 34.5 | 13.0 | 13.5 |
| YR84L | Yellow | 4.0-6.0 | 6.7 | 3.4 | 8.5 | 15.0 | 34.5 | 13.0 | 13.5 |
| YR105 | Yellow | 4.0-6.0 | 6.7 | 3.4 | 10.6 | 15.0 | 34.5 | 13.0 | 13.5 |
| YR105L | Yellow | 4.0-6.0 | 6.7 | 3.4 | 10.6 | 15.0 | 34.5 | 13.0 | 13.5 |
| YR130 | Yellow | 4.0-6.0 | 6.7 | 3.4 | 13.0 | 19.2 | 39.1 | 13.0 | 16.0 |